



CV. MEKAR JAYA TECHNIC

GENERAL CONTRACTOR & ENGINEERING

PULVERIZER COAL INJECTION

KEUNGGULAN :

- MENGEJAR DAN MENSTABILKAN PRESSURE LEBIH CEPAT
- MENGEJAR DAN MENSTABILKAN STEAM LEBIH MUDAH
- PEMAKAIN BATU BARA LEBIH EFESIEN
- PERAWATAN LEBIH MUDAH
- PEMASANGAN LEBIH CEPAT
- DILENGKAPI SCREW FEEDER MODULATING

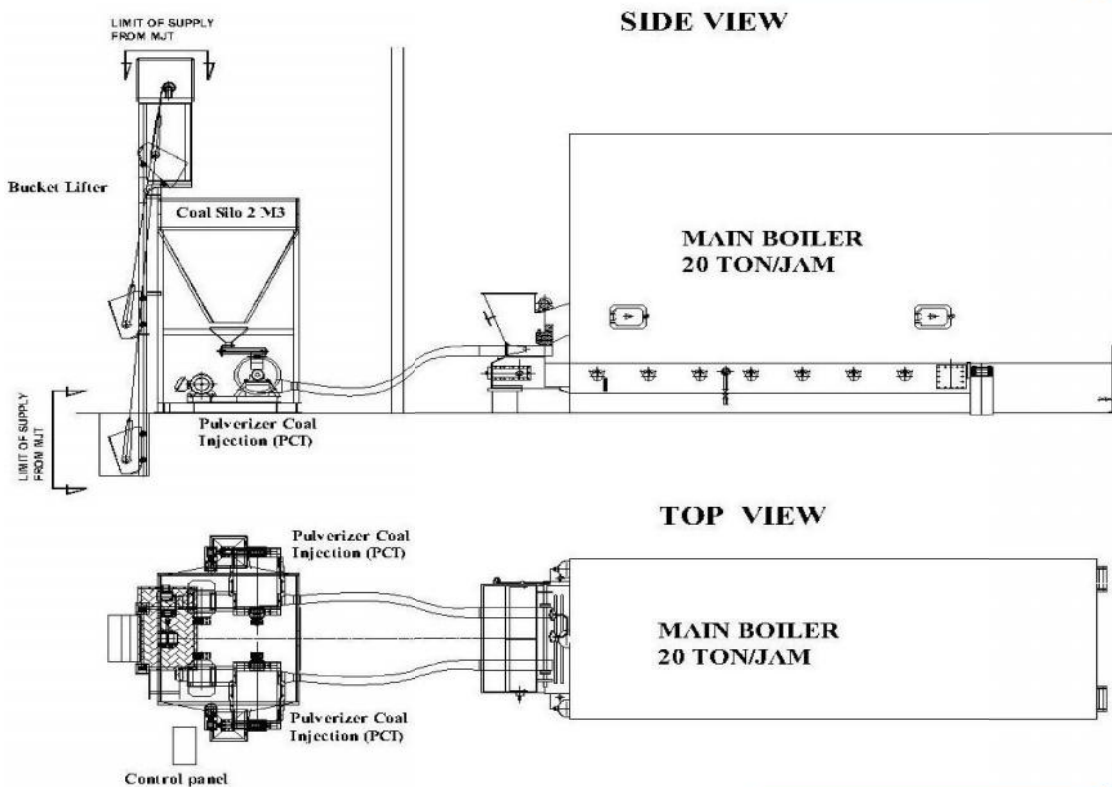
PEMAKAIAN :

- PULVERIZER COAL INJECTION FOR BOILER
- PULVERIZER COAL INJECTION FOR THERMAL OIL
- COAL BURNER FOR ASPHALT MIXING PLANT
- COAL BURNER FOR ROTARY DRYER
- COAL BURNER FOR ROTARY KILN



SPEKIFIKASI TEKNIK

Model	MJT 50	MJT80	MJT180	MJT250	MJT500	MJT1000	MJT1200	MJT1500
Coal consumption (kg/jam)	40	70	150	200	450	950	1000	1300
Motor (kw)	2.2	5	7.5	11	18	30	37	45
Rpm	1900	1900	1900	1900	1900	1900	1900	1900
Motor blower FDF (kw)	1.1	1.5	2.2	3	5	7.5	7.5	15
Input coal size (mm)	10	10	10	10	10	10	10	10
Output coal size (mm)	0.08	0.08	0.08	0.08	0.08	0.08	0.08	0.08
Hammer stage	3	3	3	3	3	3	3	3
Moisture %	< 15	< 15	< 15	< 15	< 15	< 15	< 15	< 15



HEAD OFFICE

Griyo Pabean II-B/35 Sedati Sidoarjo, Jawa Timur

Tlp : 62-31.8677541-8678180,

Fax : 62-31.8674942

Website : <http://www.mekarjayatech.com>,

Email : mekarteknik@yahoo.co.id

siswantotantular@yahoo.com